



FAG

QJ218-XL-N2-MPA

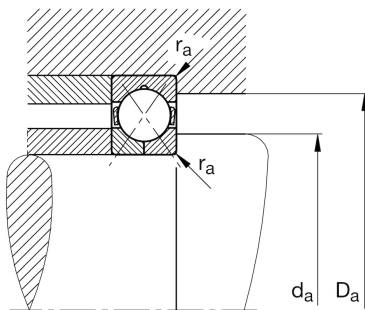
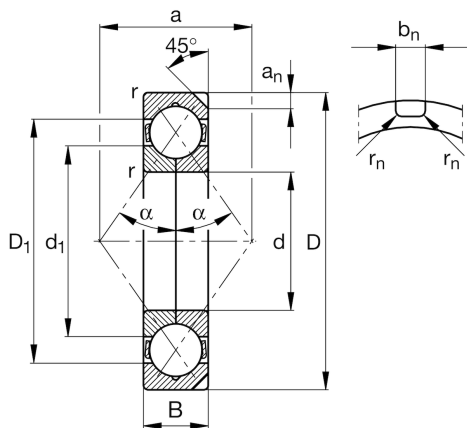
Four-point contact bearing

Schaeffler ID:
0192610120000

Four point contact bearing QJ2..-XL-N2-MPA, X-life, holding grooves, solid brass cage

X-life

Technical information



Main Dimensions & Performance Data

| | | |
|-----------------|-------------|-----------------------------------|
| d | 90 mm | Bore diameter |
| D | 160 mm | Outside diameter |
| B | 30 mm | Width |
| C _r | 181.000 N | Basic dynamic load rating, radial |
| C _{0r} | 185.000 N | Basic static load rating, radial |
| C _{ur} | 12.100 N | Fatigue load limit, radial |
| n _G | 8.200 1/min | Limiting speed |
| n _{gr} | 3.850 1/min | Reference speed |
| | 2,726 kg | Weight |

Dimensions

| | | |
|------------------|----------|---|
| r _{min} | 2 mm | Minimum chamfer dimension |
| D ₁ | 136,1 mm | Shoulder diameter outer ring |
| d ₁ | 114,3 mm | Shoulder diameter inner ring |
| a | 88 mm | Distance between the apexes of the pressure cones |
| a _n | 8,1 mm | Height retaining slot |
| b _n | 6,5 mm | Width retaining slot |
| r _n | 1 mm | Radius retaining slot |
| | 45 ° | Angle retaining slot |
| α | 35 ° | Contact angle |

Mounting dimensions

| | | |
|--------------------|--------|--------------------------------------|
| d _{a min} | 101 mm | Minimum diameter shaft shoulder |
| D _{a max} | 149 mm | Maximum diameter of housing shoulder |
| r _{a max} | 2 mm | Maximum fillet radius |

Temperature range

| | | |
|------------------|--------|----------------------------|
| T _{min} | -30 °C | Operating temperature min. |
| T _{max} | 150 °C | Operating temperature max. |